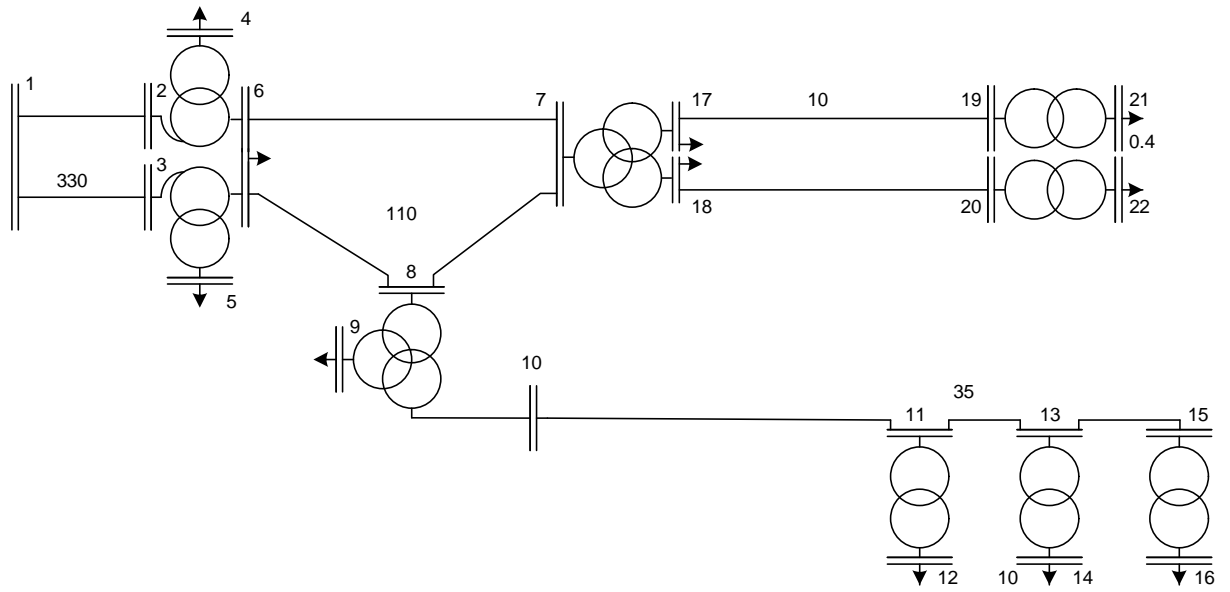


1A



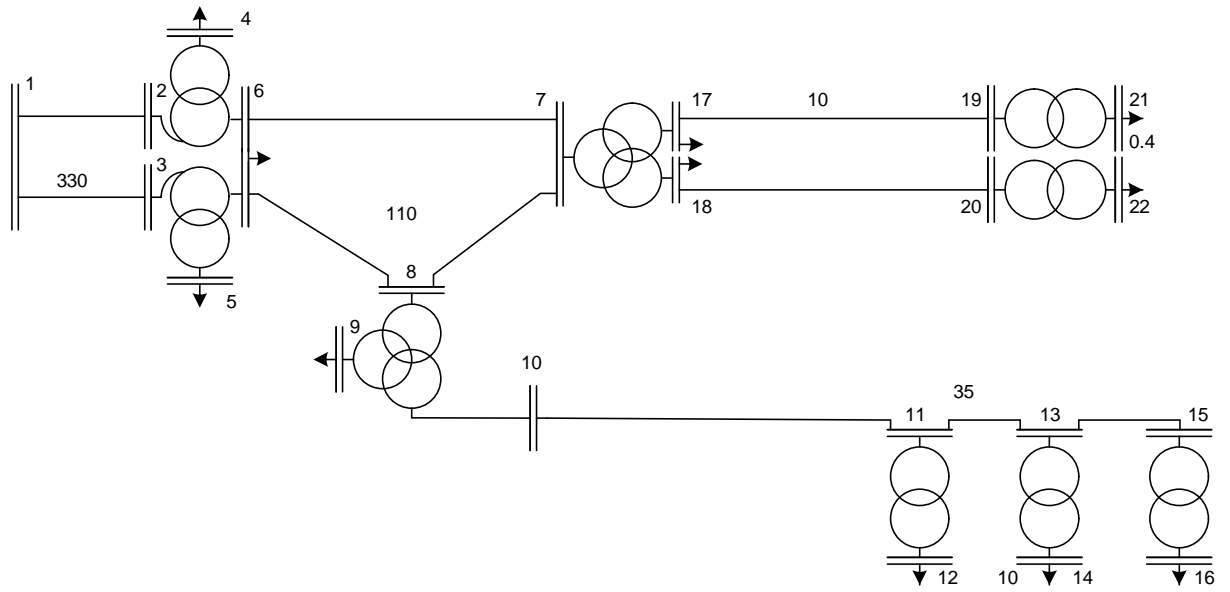
1- $(S_{i, \cdot})$

$S_{4,5}$	S_6	S_9	S_{12}	S_{14}	S_{16}	$S_{17,18}$	$S_{21,22}$
50	220	9	7	6	6	14	0,9

2- $(L_{i,j})$

$L_{1,2(3)}$	$L_{6,7}$	$L_{6,8}$	$L_{7,8}$	$L_{10,11}$	$L_{11,13}$	$L_{13,15}$	$L_{17,19}$
220	42	40	36	18	16	12	8

1B



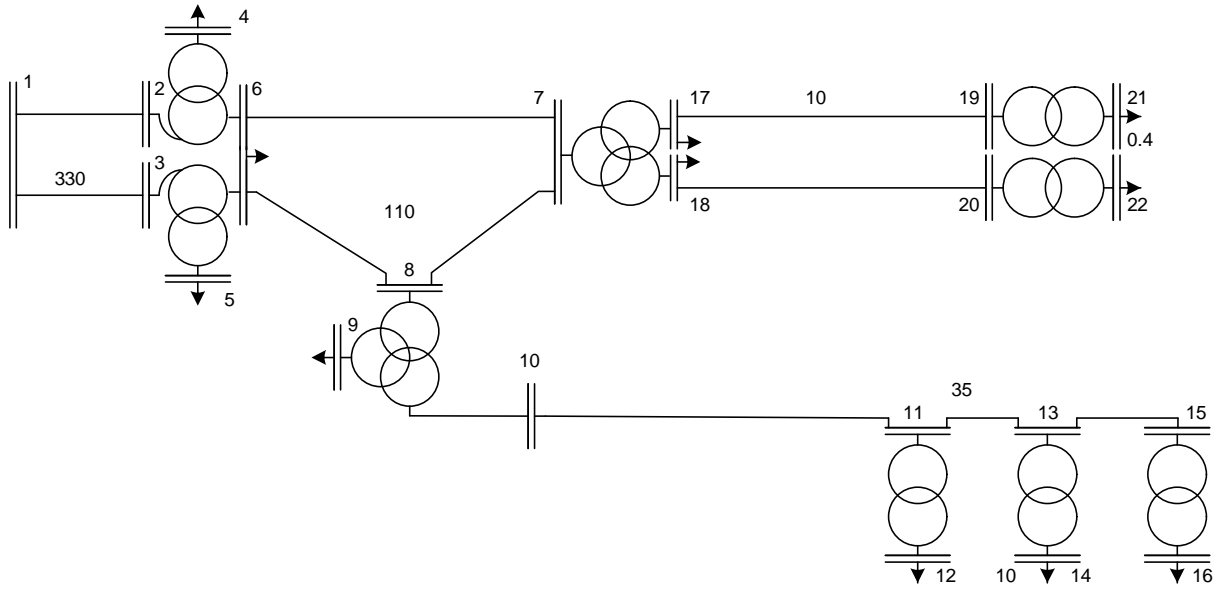
1- $(S_{i, \cdot})$

$S_{4,5}$	S_6	S_9	S_{12}	S_{14}	S_{16}	$S_{17,18}$	$S_{21,22}$
55	210	10	7	8	8	14	0,9

2- $(L_{i,j})$

$L_{1,2(3)}$	$L_{6,7}$	$L_{6,8}$	$L_{7,8}$	$L_{10,11}$	$L_{11,13}$	$L_{13,15}$	$L_{17,19}$
210	40	42	35	18	16	12	8

1C



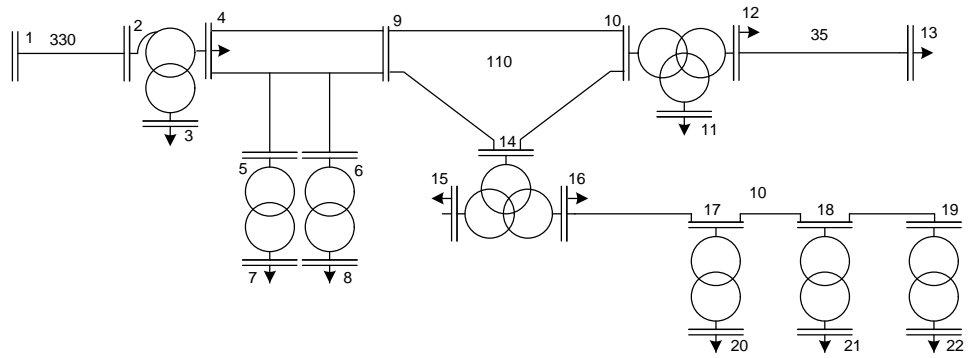
1- $(S_{i, \cdot})$

$S_{4,5}$	S_6	S_9	S_{12}	S_{14}	S_{16}	$S_{17,18}$	$S_{21,22}$
45	200	8	6	4	4	14	0,9

2- $(L_{i,j})$

$L_{1,2(3)}$	$L_{6,7}$	$L_{6,8}$	$L_{7,8}$	$L_{10,11}$	$L_{11,13}$	$L_{13,15}$	$L_{17,19}$
200	38	40	34	16	16	12	8

2A



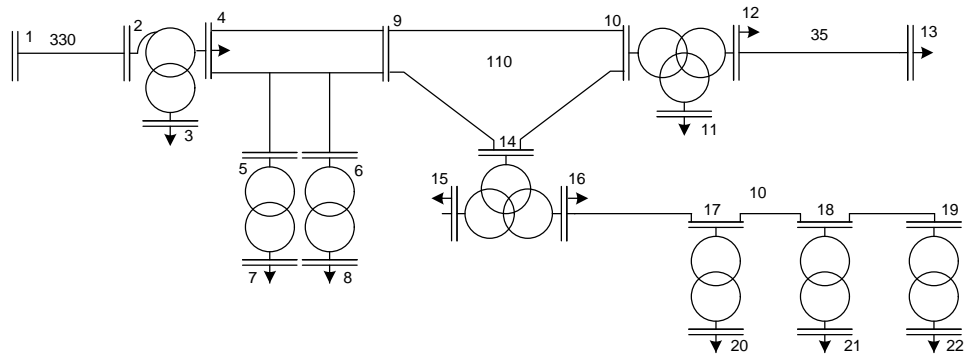
1- (S_i, \dots)

S_3	S_4	$S_{7,8}$	S_{13}	S_{11}	S_{15}	S_{12}	S_{22}	S_{20}	S_{21}	S_{16}
90	220	10	10	14	8	10	0.8	0.7	0,6	3,5

2- $(L_{i,j}, \dots)$

$L_{1,2}$	$L_{4,5(6)}$	$L_{5(6),9}$	$L_{9,10}$	$L_{10,14}$	$L_{9,14}$	$L_{12,13}$	$L_{18,19}$	$L_{16,17}$	$L_{17,18}$
220	20	30	30	40	35	16	4	6	8

2B



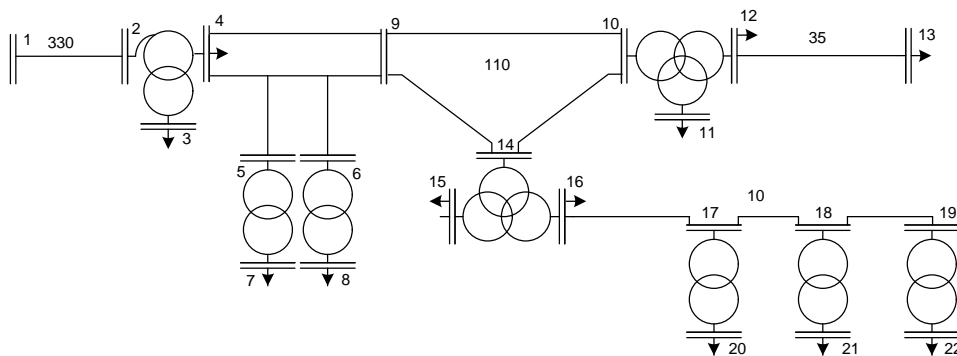
1- (S_i, \dots)

S_3	S_4	$S_{7,8}$	S_{13}	S_{11}	S_{15}	S_{12}	S_{22}	S_{20}	S_{21}	S_{16}
100	230	15	12	16	8	10	0.8	0.7	0,6	3,5

2- $(L_{i,j}, \dots)$

$L_{1,2}$	$L_{4,5(6)}$	$L_{5(6),9}$	$L_{9,10}$	$L_{10,14}$	$L_{9,14}$	$L_{12,13}$	$L_{18,19}$	$L_{16,17}$	$L_{17,18}$
230	25	35	35	45	35	16	4	6	8

2C



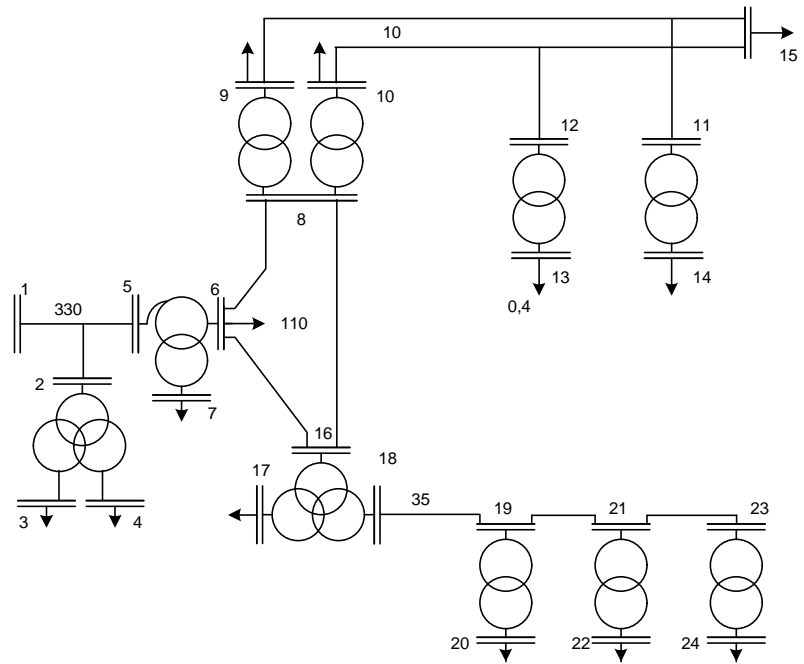
1- (S_i, \dots)

S_3	S_4	$S_{7,8}$	S_{13}	S_{11}	S_{15}	S_{12}	S_{22}	S_{20}	S_{21}	S_{16}
80	210	5	8	12	6	10	0.8	0.7	0.6	3,5

2- $(L_{i,j}, \dots)$

$L_{1,2}$	$L_{4,5(6)}$	$L_{5(6),9}$	$L_{9,10}$	$L_{10,14}$	$L_{9,14}$	$L_{12,13}$	$L_{18,19}$	$L_{16,17}$	$L_{17,18}$
210	15	25	40	35	30	16	4	6	8

3A



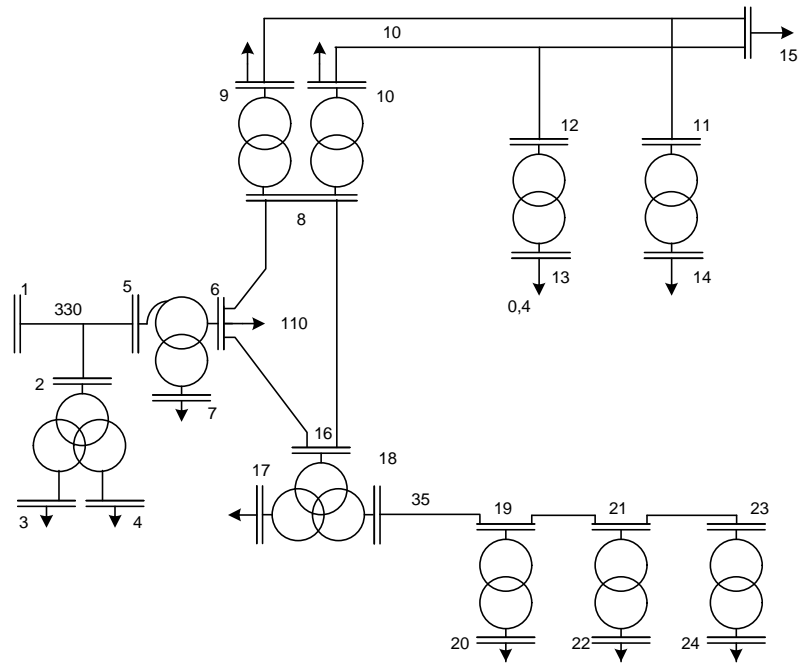
1- $(S_i \cdot)$

$S_{3,4}$	S_6	S_7	$S_{9,10}$	$S_{13,14}$	S_{15}	S_{17}	S_{20}	S_{22}	S_{24}
60	260	50	15	1	1,6	8	3.5	4	5

2- $(L_{i,j} \cdot)$

$L_{1,2}$	$L_{2,5}$	$L_{6,8}$	$L_{8,16}$	$L_{6,16}$	$L_{9,10}$ $L_{10,12}$	$L_{11(12)}$, L_{15}	$L_{18,19}$	$L_{19,21}$	$L_{21,23}$
120	130	50	45	40	6	5	12	16	15

3C



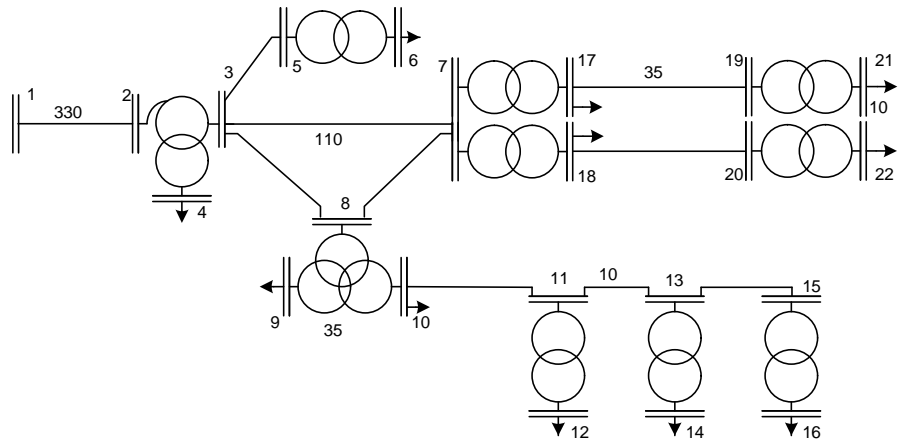
1- $(S_i \cdot)$

$S_{3,4}$	S_6	S_7	$S_{9,10}$	$S_{13,14}$	S_{15}	S_{17}	S_{20}	S_{22}	S_{24}
55	250	40	10	5	1,6	8	3.5	4	5

2- $(L_{i,j} \cdot)$

$L_{1,2}$	$L_{2,5}$	$L_{6,8}$	$L_{8,16}$	$L_{6,16}$	$L_{9,10}$ $L_{10,12}$	$L_{11(12)}$, L_{15}	$L_{18,19}$	$L_{19,21}$	$L_{21,23}$
115	125	45	40	35	4	5	12	16	15

4A



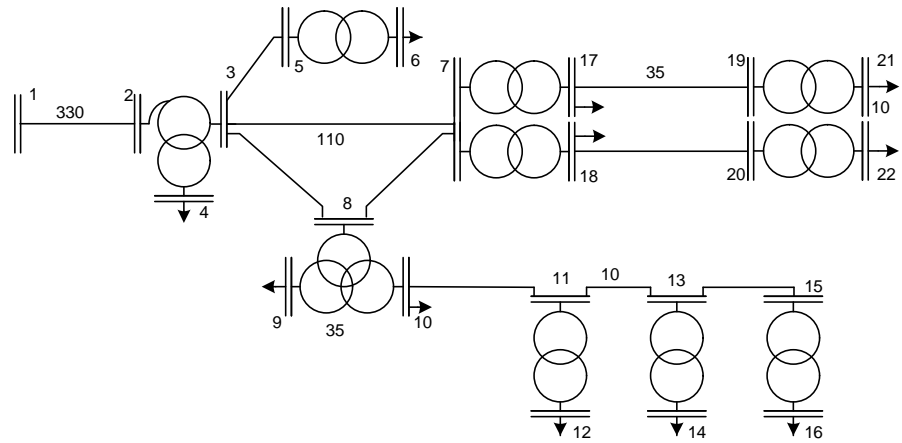
1- (S_i, \cdot)

S_2	S_4	S_6	S_9	S_{10}	S_{12}	S_{14}	S_{16}	$S_{17,18}$	$S_{21,22}$
200	25	30	15	13	0,5	0,6	0,4	20	4.5

2- $(L_{i,j}, \cdot)$

$L_{1,2}$	$L_{3,5}$	$L_{3,7}$	$L_{3,8}$	$L_{7,8}$	$L_{17,19}$ $L_{18,20}$	$L_{10,11}$	$L_{11,13}$	$L_{13,15}$
160	160	40	35	30	15	18	12	5

4B



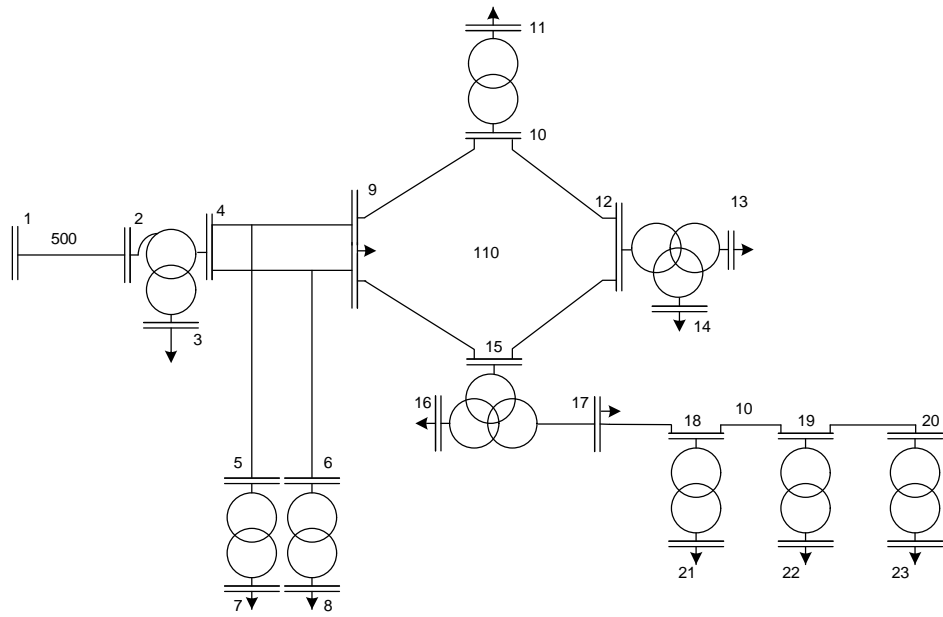
1- (S_i, \cdot)

S_2	S_4	S_6	S_9	S_{10}	S_{12}	S_{14}	S_{16}	$S_{17,18}$	$S_{21,22}$
190	20	25	10	12	0,5	0,6	0,4	20	4.5

2- $(L_{i,j}, \cdot)$

$L_{1,2}$	$L_{3,5}$	$L_{3,7}$	$L_{3,8}$	$L_{7,8}$	$L_{17,19}$ $L_{18,20}$	$L_{10,11}$	$L_{11,13}$	$L_{13,15}$
150	140	35	30	25	10	18	12	5

5A



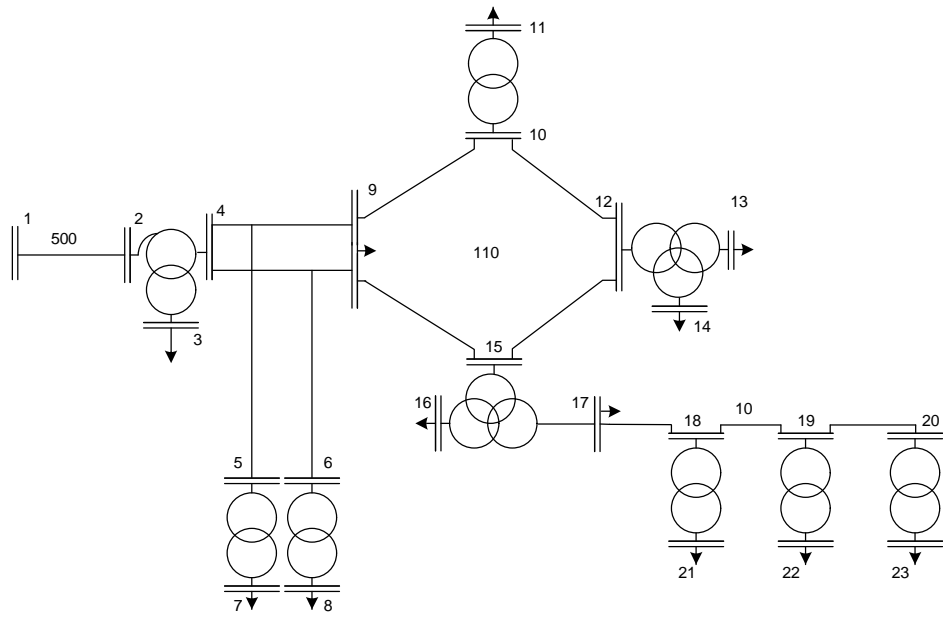
1- (S_i, \dots)

S_3	$S_{7,8}$	S_9	S_{11}	S_{13}	S_{14}	S_{16}	S_{17}	$S_{21,23}$	S_{22}	S_4
20	6	12	8	7,5	5,8	9	7	0,7	0,6	140

2- $(L_{i,j}, \dots)$

$L_{1,2}$	$L_{4,5(6)}$	$L_{5(6),9}$	$L_{9,10}$	$L_{10,12}$	$L_{9,15}$	$L_{12,15}$	$L_{17,18}$	$L_{18,19}$	$L_{19,20}$
200	25	30	45	35	40	25	6	5	5

5B



1-

(S_i , ·)

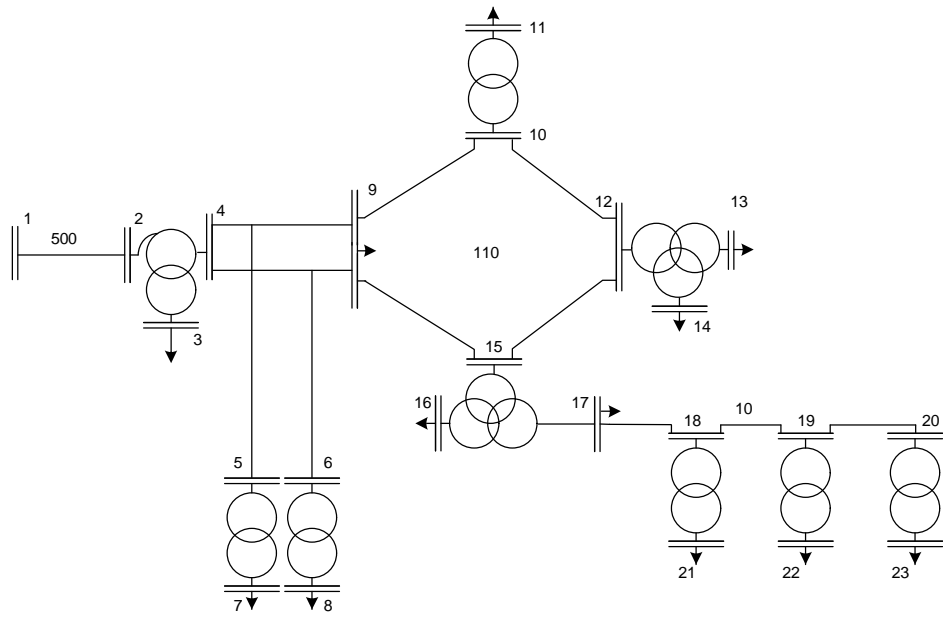
S_3	$S_{7,8}$	S_9	S_{11}	S_{13}	S_{14}	S_{16}	S_{17}	$S_{21,23}$	S_{22}	S_4
25	8	12	10	7,5	5,8	9	7	0,7	0,6	150

2-

($L_{i,j}$,)

$L_{1,2}$	$L_{4,5(6)}$	$L_{5(6),9}$	$L_{9,10}$	$L_{10,12}$	$L_{9,15}$	$L_{12,15}$	$L_{17,18}$	$L_{18,19}$	$L_{19,20}$
210	30	35	45	35	40	30	6	5	5

5C



1-

(S_i , ·)

S_3	$S_{7,8}$	S_9	S_{11}	S_{13}	S_{14}	S_{16}	S_{17}	$S_{21,23}$	S_{22}	S_4
15	4	10	8	7,5	5,8	9	7	0,7	0,6	120

2-

($L_{i,j}$,)

$L_{1,2}$	$L_{4,5(6)}$	$L_{5(6),9}$	$L_{9,10}$	$L_{10,12}$	$L_{9,15}$	$L_{12,15}$	$L_{17,18}$	$L_{18,19}$	$L_{19,20}$
180	20	25	45	35	40	25	6	5	5